



60W (1/12.5 HP)

TERMINAL BOX TYPE INDUCTION MOTORS Frame size 90mm sq. (3.54 in. sq.)

Single-Phase, Three-Phase

BOX TYPE

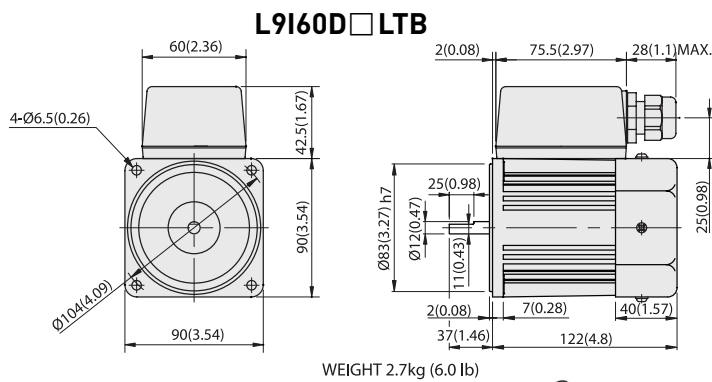
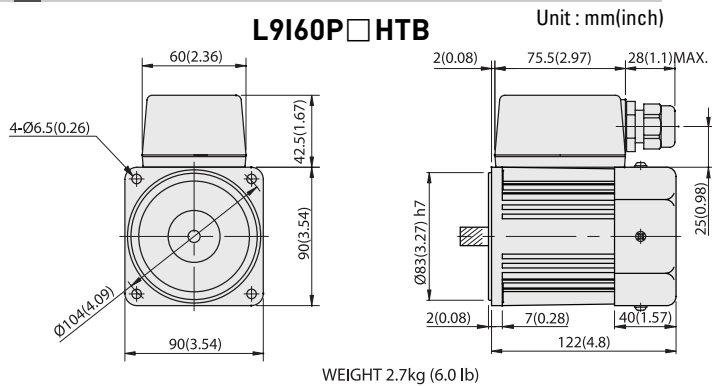
SPECIFICATIONS

CONTINUOUS DUTY, INSULATION CLASS A or E, 4POLES

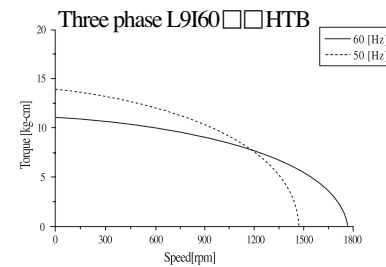
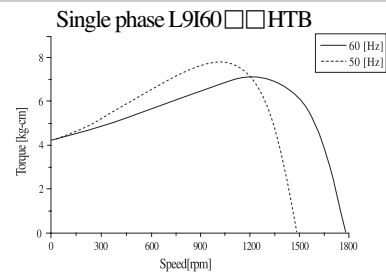
Model	Output		Voltage (V)	Frequency (Hz)	Rated					Starting Torque			Capacitor (μF)	
	(HP)	(W)			Input (W)	Current (A)	Torque			Speed (rpm)	(kg-cm)	(N-m)		(oz-in)
L9160□C HTB	1/12.5	60	1∅100	50	130	1.27	4.5	0.441	62.49	1300	3	0.294	41.66	15
L9160□D HTB	1/12.5	60	1∅200	50	130	0.57	4.5	0.441	62.49	1300	3.9	0.382	54.16	4.5
L9160□B HTB	1/12.5	60	1∅220	60	140	0.7	3.7	0.363	51.38	1600	3.5	0.343	48.60	4
L9160□E HTB	1/12.5	60	1∅115	60	130	1.20	3.8	0.372	52.77	1550	3	0.294	41.66	12
L9160□X HTB	1/12.5	60	1∅220~240	50	140	0.63	4.5	0.441	62.49	1300	4.2	0.412	58.33	4
L9160□U HTB	1/12.5	60	3∅200	50	135	0.46	4.5	0.441	62.49	1300	10.4	1.019	144.42	-
L9160□T HTB	1/12.5	60	3∅200~230	50	135	0.5	4.4	0.431	61.10	1350	13.5	1.323	187.47	-
L9160□S HTB	1/12.5	60	3∅380~415	50	135	0.29	4.4	0.431	61.10	1350	13.5	1.323	187.47	-
L9160□R HTB	1/12.5	60	3∅440	50	135	0.25	4.4	0.431	61.10	1350	13.5	1.323	187.47	-
				60	135	0.23	3.7	0.363	51.38	1600	9.7	0.951	134.70	-

- * Model in grey screen represents the motors with THERMALLY PROTECTED according to UL regulation.
- * Model in dark grey screen represents the motors with THERMALLY PROTECTED according to CE regulation.
- * In case of some models certificated for export, the special cord like CE or UL is added after the existing model no. ex) L9160□XH-CE, L9160□EH-UL.
- * Insulation class for motors which acquired certificates for export is B.

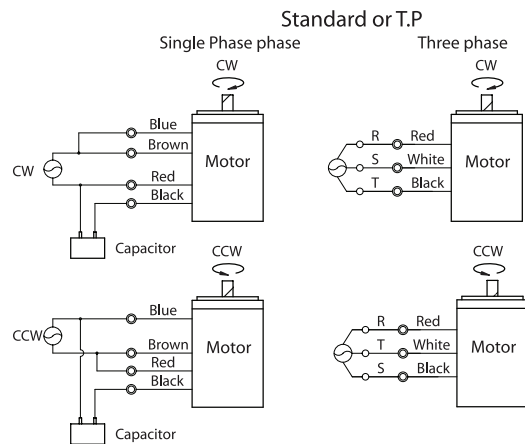
DIMENSIONS



SPEED-TORQUE CURVE



CONNECTION DIAGRAMS



The direction of rotation is seen from the end of motor shaft.

TERMINAL BOX TYPE INDUCTION MOTORS